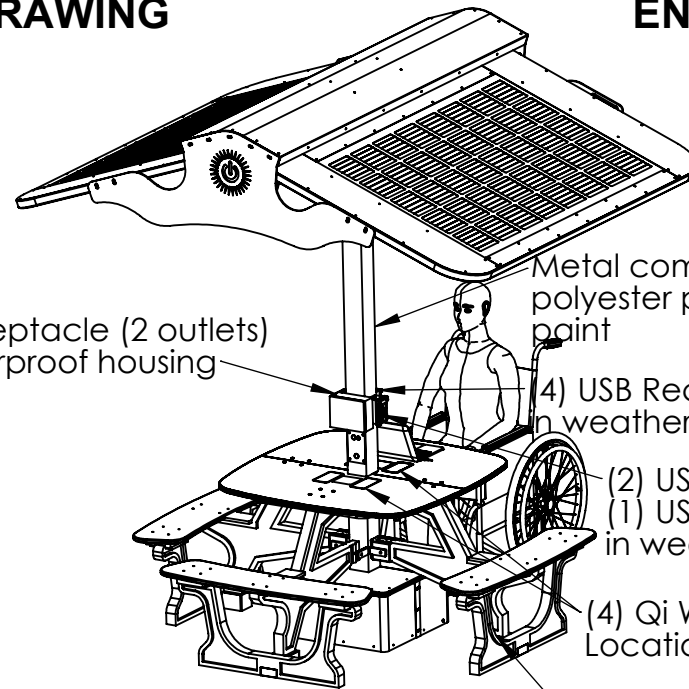


(2) 230 watt double glass BIPV Solar Panels

Automatic digital timer activated "Ambient" LED Canopy Lighting



GFCI Receptacle (2 outlets) in weatherproof housing

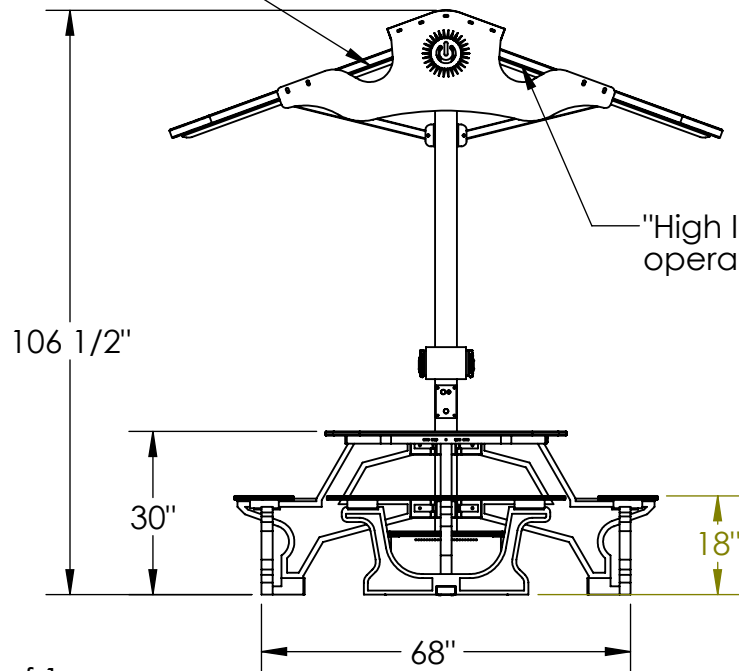
Metal components finished with polyester powdercoat durable paint

4) USB Receptacles in weatherproof housing

(2) USB-C Receptacles (1) USB-A High Speed in weatherproof housing

(4) Qi Wireless Charging Locations on Table Surface

Table Constructed from Poly-Recycled Plastic Material



"High Intensity" LED Canopy Lighting operated via pushbutton

ADA Accessible Configuration

