

# Orion

Go on, plug in GREEN!



**EnerFusion Inc.**  
Power-up GREEN!  
[www.enerfusioninc.com](http://www.enerfusioninc.com)

## Features of the Orion

- Generates and stores electricity for use day or night for true "Off the Grid" GREEN power!

- (1) Poly-recycled table assembly with seating for (6).

- (2) 110 vac 60 hz GFCI outlets

- (4) USB Type "A" power outlets.

- (2) USB Type "C" power outlets.

Dual-Port High-Speed USB-C Charger Ports

\* (1) 100W USB C Output: 5V  $\approx$  3.0 A / 9V  $\approx$  3A / 12V - 3A / 15V  $\approx$  3A / 20V  $\approx$  5A

\* (1) 30W USB C Output: 5V  $\approx$  3A / 9V  $\approx$  3A / 12V  $\approx$  2.5A

- (3) Qi enabled "Wireless-Quick Charging" 5W/7.5W/10W/15W 3coil wireless charging locations conveniently located on tabletop surface.

- High intensity LED lighting system with timer, operated with the push of a button.

- Ambient Lighting activated at dusk.

- (6)75-Watt Solar Panels (1) 130 Watt Solar Panel, total capacity 580 watts power generation.

- 600-Watt continuous pure sine wave power, 1200 watt peak surge (10min).

- Robust capacity 100 Ah Gel Cell battery bank or an optional LiFePo4 battery module available for suitable climates.

- Provides surge protected electricity for your electronic devices.

- Adjustable angular settings for the umbrella to maximize the sun's exposure on the solar panels for peak seasonal efficiency.

- Table constructed from poly-recycled plastic materials. Approximately 145 lbs. of recycled HDPE in each Orion unit. That's the equivalent of nearly 5500 plastic water bottles or nearly 880 milk jugs in each unit!!!!!!!!!!

- Structural components constructed from Aluminum, thus preventing any potential for rusting of the structure as seen with other outdoor furnishings on the market.

- Stainless steel fasteners utilized for long lasting and rust-free securing of components.

- Solar charge controller with digital readouts and Bluetooth connectivity with mobile app to (IOS and Android) monitor system information.

- Easy to clean surfaces.

- Umbrella surfaces can accommodate custom logos.

- Each product is fully customizable with many color choices available for tabletop, seat surfaces, structural aluminum components, and umbrella panel surfaces.

\*\*\*\* NEW 2023\*\*\*\* - Powdura ECO recycled plastic powder coating finishes available.

The Orion is Made in America!

Optional features:

Wi-Fi Hotspot



# Natu Renewab

[www.wisconsinpu](http://www.wisconsinpu)

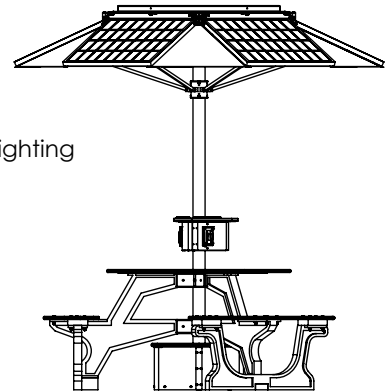
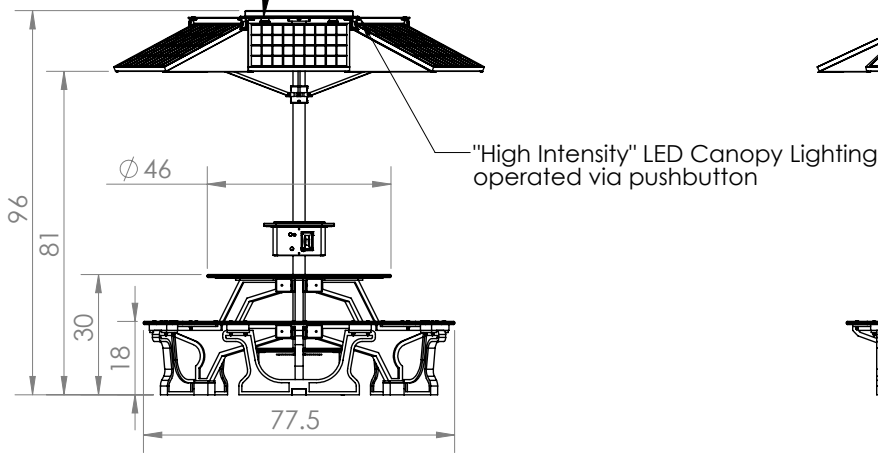
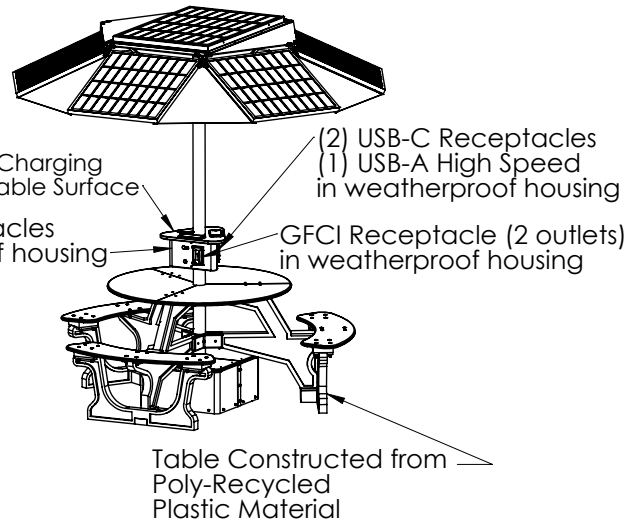
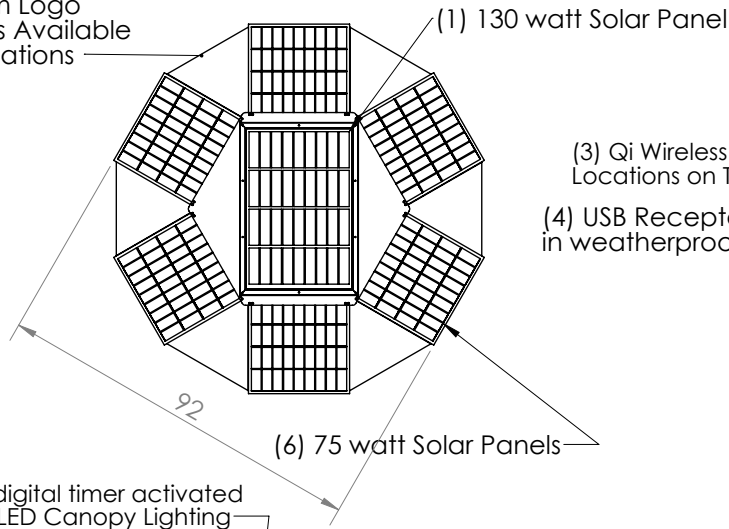


**NatureWise<sup>®</sup>**  
The Energy Program

[publicservice.com/naturewise](http://publicservice.com/naturewise)

The Orion is much more than an ordinary picnic table, it is a solar-powered charging station and WiFi hotspot that is a great addition to any campus or outdoor venue. The Orion has been designed to provide self-sustaining GREEN energy wherever it is placed outdoors with access to direct sunlight. Not only is this electronic device charging oasis powered by the sun, it is also made from recycled materials to be an eco-friendly masterpiece.

Custom Logo  
Spaces Available  
(6) Locations



CONFIDENTIAL DRAWING INFORMATION CONTAINED HEREIN IS THE PROPERTY OF ENERFUSION, INC. INTENDED USE IS LIMITED TO DESIGN PROFESSIONALS SPECIFYING ENERFUSION, INC. PRODUCTS AND THEIR DIRECT CLIENTS. DRAWING IS NOT TO BE COPIED OR DISCLOSED TO OTHERS WITHOUT THE CONSENT OF ENERFUSION, INC.

EnerFusion Inc.  
1601 Hults Dr.  
Eaton Rapids, MI 48827  
844-8POWERUP  
(844-876-9378)



www.enerfusioninc.com

