

Aurora-Solar Trellis

Power-up GREEN!



Features of the “Aurora-Solar Trellis PRO”:

- Generates and stores electricity for use day or night for true “Off the Grid” GREEN power!
 - Fits many different park benches up to 76” in width.
 - (3) USB Type “A” charging outlets
 - (1) USB Type “A” High-Speed charging outlet
 - (2) USB Type “C” charging outlets.
- Dual-Port High-Speed 130 Watt USB-C Charger Ports
- * (1) 100W USB C Output: 5V - 3A / 9V - 3A / 12V - 3A / 15V - 3A / 20V - 5A
 - * (1) 30W USB C Output: 5V - 3A / 9V - 3A / 12V - 2.5A
- (4) Qi “Wireless” charging location conveniently located on the mini table top surface
 - (6) 60 watt solar panels, 360 watt GREEN energy array
 - Robust capacity 20 Ah battery bank.
 - (6) Ambient LED lighting system operated automatically at dusk with configurable digital timer to allow for adjustments to “on” and “off” times.
 - Solar charge controller with digital readouts and bluetooth connectivity with mobile app to monitor system information.
 - Structural components constructed from aluminum, thus preventing any potential for rusting of the structure as seen with other outdoor furnishings on the market.
 - Stainless steel fasteners utilized for long lasting and rust-free securing of components.
 - Easy to clean surfaces.
 - Each product is fully customizable with many color choices available.
 - Patent pending design
 - The “Aurora-Solar Trellis” is

Made in America!



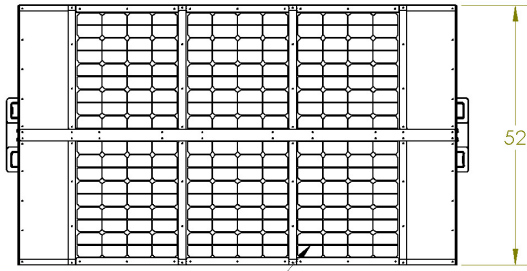


Introducing the “Aurora-Solar Trellis”, a solar-powered bench shade structure that has been designed to compliment several park bench models on the market that are up to 76” in length. If you happen to need a bench, no problem, EnerFusion also offers the Aurora-Solar Trellis with a 6’ bench in backed and non backed styles.

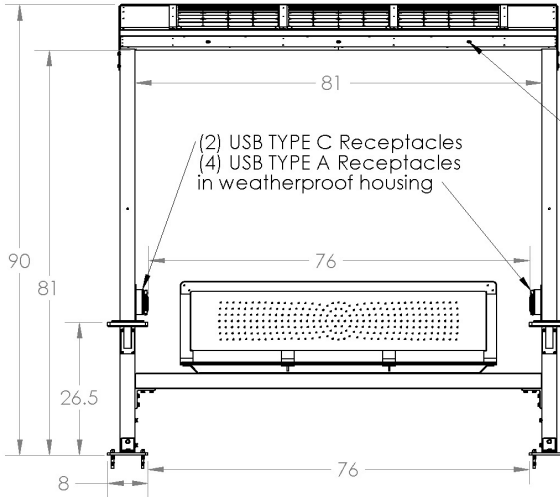
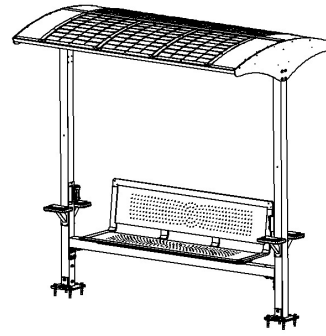
This charging station is a great addition to any campus or outdoor venue.

The Aurora-Solar Trellis has been designed to provide self-sustaining “GREEN” energy wherever it is placed outdoors with access to direct sunlight.

Not only is this electronic device charging oasis powered by the sun, it is also made from recycled materials to be an eco-friendly masterpiece.



(6) 60 Watt Flexible Solar Panels

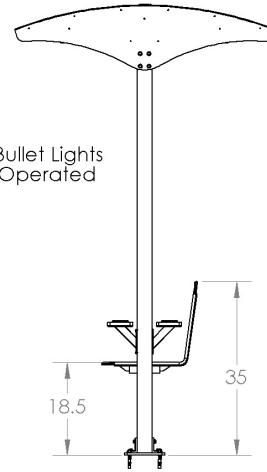


(2) USB TYPE C Receptacles
(4) USB TYPE A Receptacles
in weatherproof housing

(6) Ambient LED Bullet Lights
Automatic Timer Operated

(4) Qi Wireless
Charging Pads

Concrete Anchor Bolts



page 1 of 1
Date 02/15/2023

CONFIDENTIAL DRAWING INFORMATION CONTAINED HEREIN IS THE PROPERTY OF ENERFUSION, INC. INTENDED USE IS LIMITED TO DESIGN PROFESSIONALS SPECIFYING ENERFUSION, INC. PRODUCTS AND THEIR DIRECT CLIENTS. DRAWING IS NOT TO BE COPIED OR DISCLOSED TO OTHERS WITHOUT THE CONSENT OF ENERFUSION, INC.

USB charging ports
located on each beam.

“Qi” wireless charging pads
Two located on each beam.

